



Operator' s manual

D 350



Please read the operator's manual carefully and make sure you understand the instructions before using the machine.

InterDiamant

EUROPEAN DIAMOND TECHNOLOGY

KEY TO SYMBOLS

Symbols on the machine



WARNING! The machine can be a dangerous tool if used incorrectly or carelessly, which can cause serious or fatal injury to the operator or others.

Please read the operator's manual carefully and make sure you understand the instructions before using the machine.

Other symbols/ decals on the machine

refer to special certification requirements for certain markets.

Explanation of warning levels

The warnings are graded in three levels

WARNING!

WARNING! Used if there is a risk of serious injury or death for the operator or damage to the surroundings if the instructions in the manual are not followed.

CAUTION!

CAUTION! Used if there is a risk of injury to the operator or damage to the surroundings if the instructions in the manual are not followed.

NOTICE!

NOTICE! Used if there is a risk of damage to materials or the machine if the instructions in the manual are not followed.

CONTENTS

KEY TO SYMBOLS

Symbols on the machine	2
Explanation of warning levels	2

CONTENTS

Contents	3
----------------	---

PRESENTATION

Dear Customer,	4
Features	5
Drill stands	5

WHAT IS WHAT?

What is what on the stand?	7
----------------------------------	---

MACHINE'S SAFETY EQUIPMENT

General	8
Carriage lock	8

OPERATING

General safety precautions	9
General working stand safety warnings	10

ASSEMBLY

Fit the wheel kit	11
Secure the stand	12
Assembly of drill motor	13
Adjust the column tilt	14
Drilling in the ceiling	14

MAINTENANCE

Stand maintenance	15
Repairs	16

PRESENTATION

Dear Customer,

Thank you for choosing our product!

It is our wish that you will be satisfied with your product and that it will be your companion for a long time. A purchase of one of our products gives you access to professional help with repairs and services. If the retailer who sells your machine is not one of our authorised dealers, ask him for the address of your nearest service workshop.

This operator's manual is a valuable document. Make sure it is always at hand at the work place. By following its content (using, service, maintenance etc) the life span and the second-hand value of the machine can be extended. If you will sell this machine, make sure that the buyer will get the operator's manual.

User responsibility

It is the owner's/employer's responsibility that the operator has sufficient knowledge about how to use the machine safely. Supervisors and operators must have read and understood the Operator's Manual. They must be aware of:

- The machine's safety instructions.
- The machine's range of applications and limitations.
- How the machine is to be used and maintained.

National legislation could regulate the use of this machine.

Find out what legislation is applicable in the place where you work before you start using the machine.

The manufacturer's reservation

All information and all data in the Operator's Manual were applicable at the time the Operator's Manual was sent to print.

PRESENTATION

We have a policy of continuous product development and therefore reserves the right to modify the design and appearance of products without prior notice.

Features

Values such as high performance, reliability, innovative technology, advanced technical solutions and environmental considerations distinguish our products.

Some of the unique features of your product are described below.

Drill stands

RP -17



- The stand is for drilling in roofs, walls and floors.
- The baseplate is made of aluminium making it very light in weight.
- The column can be tilted 0-60°.
- The stand is fitted with a clamp.
- The feed lever can be used to loosen and tighten the clamp, adjust the adjustment bolts in the baseplate.

Accessories

- Wheel set
- Quick connection plate

PRESENTATION

RP - 25



- The stand is for drilling in roofs, walls and floors.
- The baseplate is made of aluminium making it very light in weight. It has an inbuilt vacuum plate.
- The column can be tilted 0-45°.The drill stand is equipped with a quick connection plate for the drill motor.
- The wheel kit is removable.
- Feed lever can be used to adjust base plate leveling screws and quick connection plate screw.

Accessories

- Wheel set
- Quick connection clamp

RP - 36

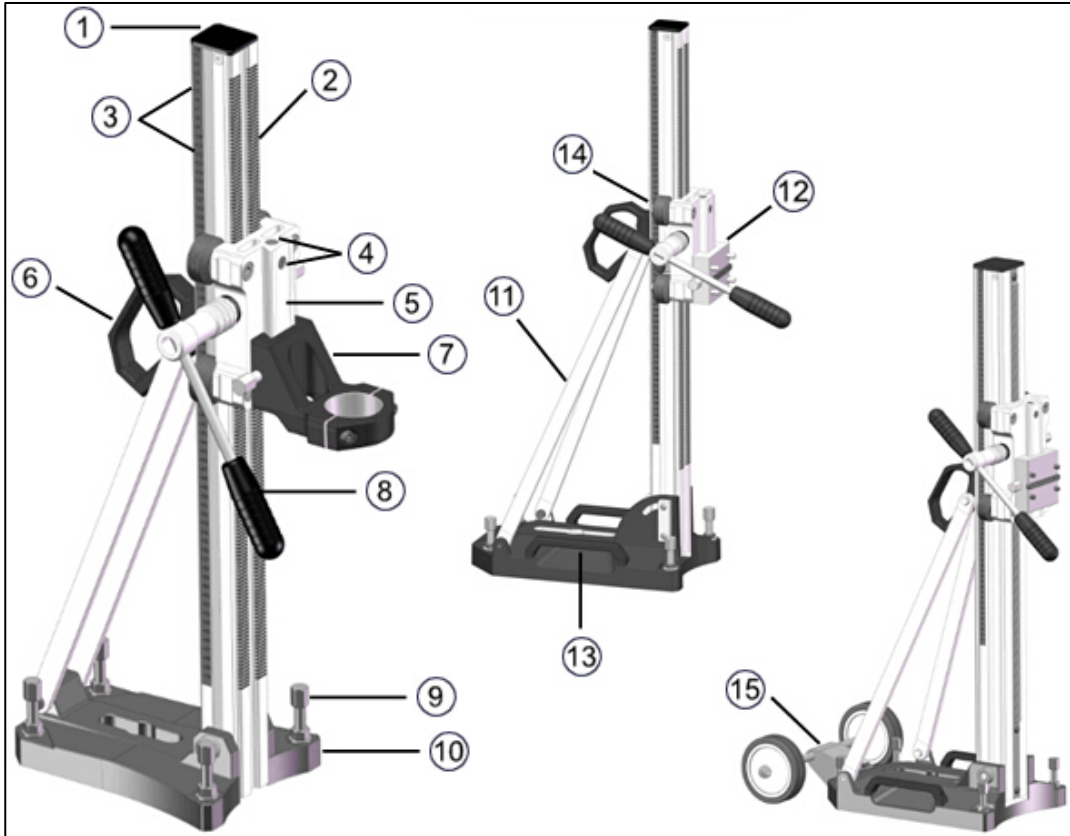


- The stand is for drilling in roofs, walls and floors.
- The baseplate is made of aluminium making it very light in weight. It has an inbuilt vacuum plate.
- The column can be tilted 0-60°.The drill stand is equipped with a quick connection plate for the drill motor.
- The wheel kit is removable.
- Feed lever can be used to adjust base plate leveling screws and quick connection plate screw.

Accessories

- Distance spacer
- Quick connection clamp

WHAT IS WHAT



What is what on the stand?

- | | | | |
|---|---|----|-----------------------|
| 1 | Column top cover | 10 | Baseplate |
| 2 | Drill column | 11 | Back support |
| 3 | Depth and tilt scale | 12 | Quick mounting plate |
| 4 | Vertical and horizontal level indicator | 13 | Baseplate handle |
| 5 | Carriage | 14 | Rollers |
| 6 | Carrying handle | 15 | Wheel set (removable) |
| 7 | Locking clamp (quick mounting) | | |
| 8 | Feed lever | | |
| 9 | Leveling adjustment screws | | |

MACHINE'S SAFETY EQUIPMENT

General



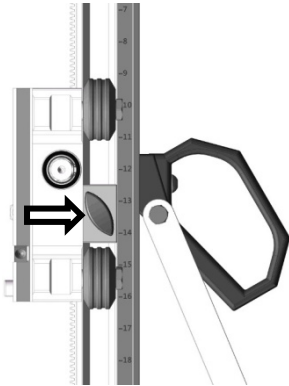
WARNING! Never use a machine with faulty safety equipment. The machine's safety equipment must be checked and maintained as described in this section. If your machine fails any of these checks contact your service agent to get it repaired.

This section describes the machine's safety equipment, its purpose, and how checks and maintenance should be carried out to ensure that it operates correctly.

Carriage lock

The carriage lock is used when replacing the drill bit and mounting the drill motor. The lock consists of a knob that locks the carriage to the drill column.

- Turn the knob to lock it.



- Feel by hand that the carriage is locked to the drill column.

OPERATION

General safety precautions



WARNING! Read all safety warnings and all instructions. Neglecting to follow the warnings and instructions can lead to serious injury or death for the operator or others

Work area safety

- Keep work area clean and well lit. Cluttered or dark areas invite accidents.
- People and animals can distract you causing you to lose control of the machine. For this reason, always remain concentrated and focused on the task.
- Do not use the machine in bad weather, such as dense fog, heavy rain, strong wind, intense cold, etc. Working in bad weather is tiring and can lead to dangerous conditions, e.g. slippery surfaces.
- Never start to work with the machine before the working area is clear and you have a firm foothold. Look out for any obstacles with unexpected movement. Ensure that no material can become loose and fall, causing injury when operating the machine.
- Always check the rear side of the surface where the drill bit will emerge when drilling right through. Secure and cordon off the area and make sure that no one can be injured or material damaged.

Personal safety



WARNING! There is always a risk of crush injuries when working with products containing moving parts. Always wear protective gloves.

- Wear personal protective equipment. See instructions under the "Personal protective equipment" heading.
- Never use the machine if you are tired, if you have drunk alcohol, or if you are taking medication that could affect your vision, your judgement or your co-ordination.
- Never allow anyone else to use the machine without first ensuring that they have understood the contents of the operator's manual.
- Be careful as clothing, long hair, and jewellery can get caught in moving parts.
- Never work alone, always ensure there is another person close at hand. Apart from being

OPERATION

able to receive help to assemble the machine, you can also get help if an accident should occur.

Use and care

- Never use a machine that is faulty. Carry out the checks, maintenance and service instructions described in this manual. Some maintenance and service measures must be carried out by trained and qualified specialists. See instructions under the Maintenance heading.
- Never use a machine that has been modified in any way from its original specification.
- Keep all parts in good working order and ensure that all fixtures are properly tightened.

Transport and storage

- Store the equipment in a lockable area so that it is out of reach of children and unauthorized persons.
- Store the drilling machine and stand in dry and frost free conditions.

General working stand safety warnings

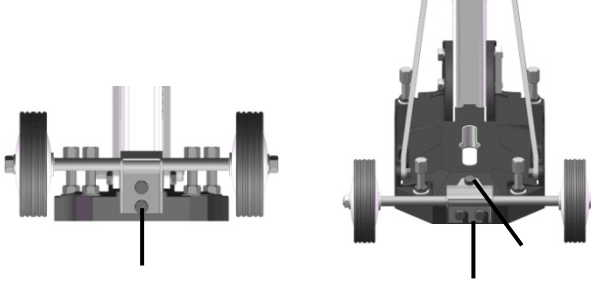
WARNING! Read all safety warnings and all instructions. Failure to follow the warnings and instructions may result in electric shock, fire and/ or serious injury.

- **Disconnect the plug from the power source and/ or the battery pack from the power tool before making any adjustments, changing accessories** Accidental starting of the power tool is a cause of some accidents..
- **Properly assemble the working stand before mounting the tool.** Proper assembly is important to prevent risk of collapse.
- **Securely fasten the power tool to the working stand before use.** Power tool shifting on the working stand can cause loss of control.
- **Place the working stand on a solid, flat and level surface.** When the working stand can shift or rock, the power tool or workpiece cannot be steadily and safely controlled.
- **Do not overload the working stand or use as ladder scaffolding.** Overloading or standing on the working stand causes the stand to be "top-heavy" and likely to tip over.

ASSEMBLY

Fit the wheel set

- Fit the wheel set to the bracket on the rear of the baseplate and tighten the screws.



wheel set for RP-17 wheel set for RP-25 and RP-36

Secure the stand

There are three methods for fixing the stand.

- Securing with vacuum (RP-17 need a extra vacuum plate)
- Fixing with expander or anchor
- Fixing with threaded rod, washer and lock nut

Securing with vacuum plate



WARNING! The vacuum plate must never be used for ceiling or wall drilling. Careless or incorrect use can result in serious, even fatal injury.

If the vacuum plate is used, make sure the support surface is not porous and can loosen from the floor or the wall. Make sure that the vacuum pump has sufficient power to secure the vacuum plate.

Fixing with expander or anchor



IMPORTANT! When drilling roofs, only expander or anchor suitable for surfaces exposed to tensile forces should be used.

ASSEMBLY

Use only expander or anchor which is approved for current application.

- For RP-17, Drill a hole for the expander/anchor at a distance of 280 mm (11") from the center of the hole.
- The distance from the center of the baseplate to the side of quick connection plate is:
RP-25 253mm(9.96") RP-36 262mm(10.3")
- Screw the baseplate tight. Check carefully that the expander is secured correctly.
- The bottom plate can be adjusted to the surface by using the leveling adjustment screws.

Use the feed handle.



280 mm (11")

RP-17



253 mm (9.96") / 262 mm (10.3")

RP-25 / RP-36

Fixing with threaded rod, washer and lock nut

If the mounting surface is inadequate for drilling in roofs or walls, the baseplate can be fixed using a threaded rod, which is mounted on the back end with a washer and locking nut.

Assembly of drill motor



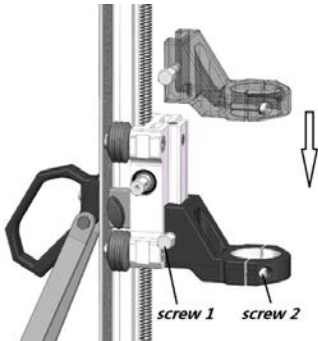
IMPORTANT! Always pull out the plug from the outlet socket before cleaning, maintenance or assembly.

ASSEMBLY

- Always remove the drill bit before the motor is mounted or dismantled.
- Lock the feed housing lock.

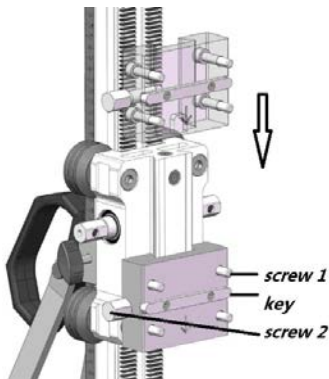
Clamp assembly

- Put the clamp from the top of the carriage.
- Fasten the screw 1.
- Put the drill motor in the clamp, then fasten the screw 2 (2pcs).



Quick connection plate assembly

- Fasten the motor with screw 1 (4pcs).
- Put quick connection plate from the top of the carriage.
- Fasten the screw 2.



ASSEMBLY

Adjust the column tilt

- Loosen the screw on carrying handle and the screw on baseplate (2 screws on RP-25).
- The angle indicator can be used for approximate adjustment. If higher precision is required, alternative measuring methods should be used.



Drilling in the ceiling



WARNING! Use a water collector to avoid water penetrating into the machine. The machine must be covered with plastic or the like in order to prevent water penetrating into the machine, but do not cover the air intakes and air outlets.

MAINTENANCE

Stand maintenance



WARNING! Inspection and/ or maintenance should be carried out with the motor switched off and the plug disconnected.

The lifetime of your machine can be extended considerably if it is used, cared for and maintained in the proper manner.

Cleaning and lubrication



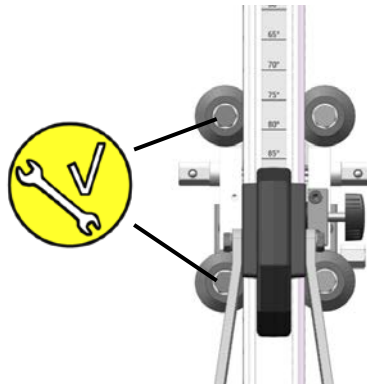
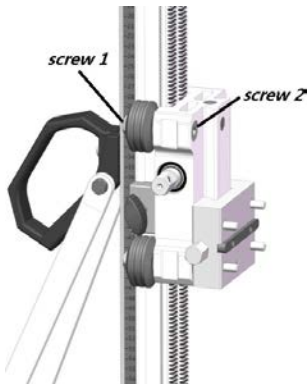
IMPORTANT! Remove the drill motor.

- It is important that the drill stand is kept clean for functionality to be maintained.
- Clean the stand using a high pressure washer and then wipe dry.
- Lubricate the moving parts on the stand. Apply grease to counteract corrosion on the contact surfaces.

Adjusting the feed housing

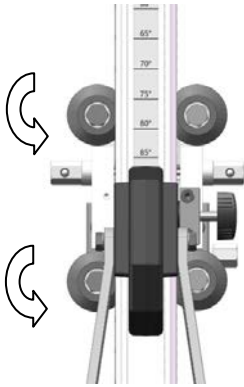
If there is play between the column and the feed housing, the play must be adjusted.

- Choose the screw 1 and screw 2 with label, use a wrench and socket-head screwdriver to open a little bit the screws.



- Adjust the roller by hand to guide the roller nearer to the column.

MAINTENANCE



- Tighten set screw to lock the guide roller shaft.
- Use the feed handle to see if the feed housing moves smoothly on the column. If not, adjust the rollers again.

Repairs



IMPORTANT! All types of repairs may only be carried out by authorised repairmen. This is so that the operators are not exposed to great risks.

Daily maintenance

- 1 Check that nuts and screws are tight.
- 2 Clean the outside of the machine.
- 3 Check that the feed crank can be moved without resistance.
- 4 Check that the gearing moves easily and does not cause any noise.
- 5 Check for any wear or damage on the column.
- 6 Check that the feed housing can be moved easily and does not backlash against the stand column.