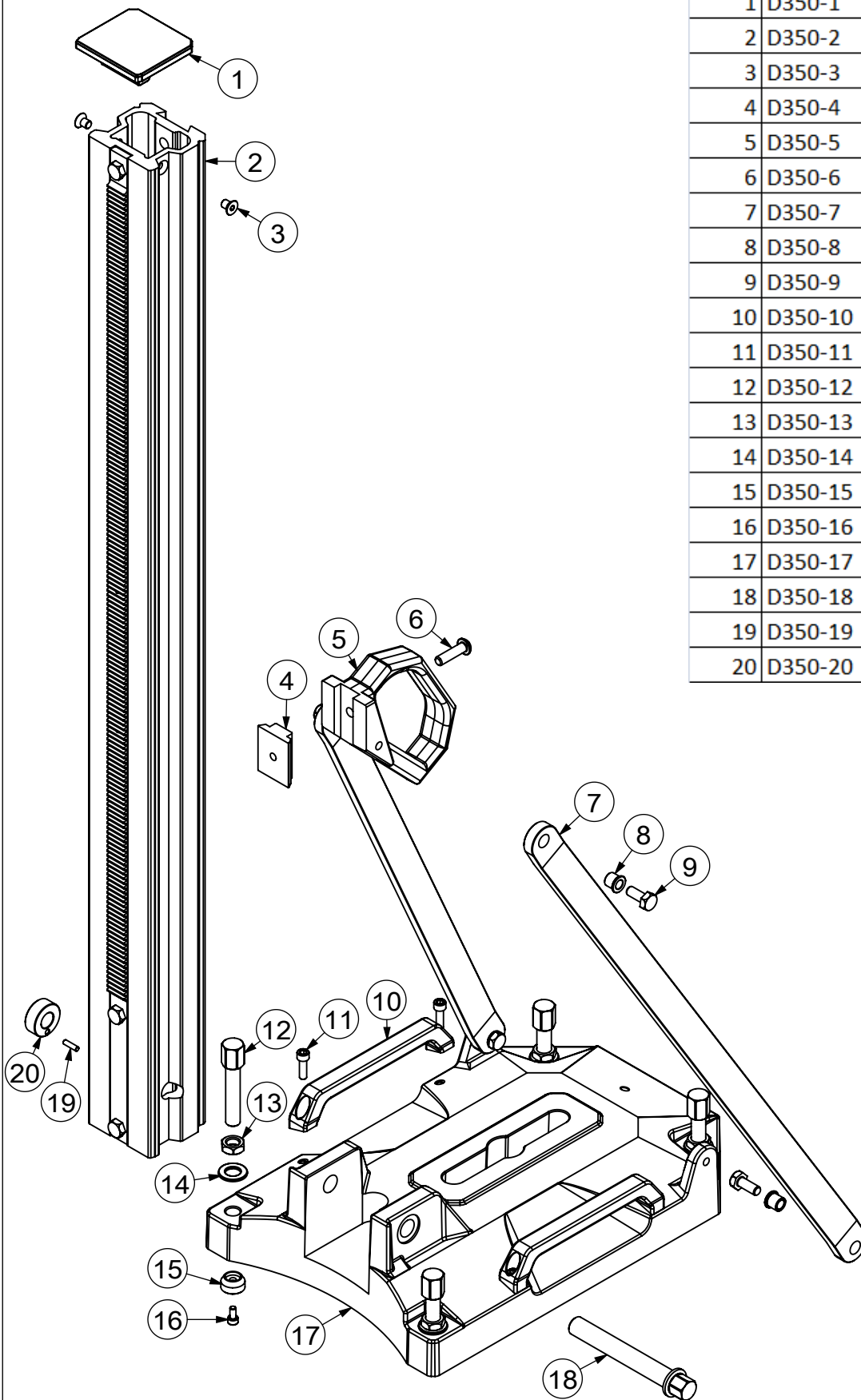
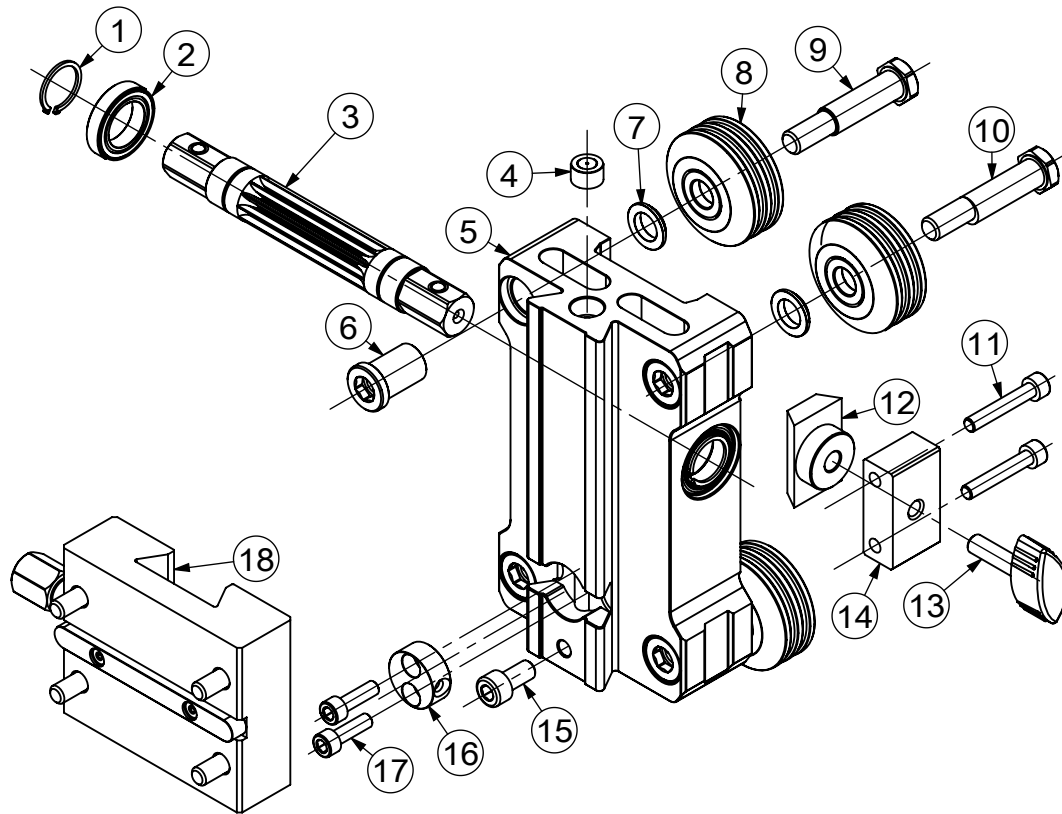


D350**InterDiamant**
EUROPEAN DIAMOND TECHNOLOGY

1	D350-1	Colum cover D350
2	D350-2	Colum D350
3	D350-3	screw
4	D350-4	slider D350
5	D350-5	grip D350
6	D350-6	screw
7	D350-7	support bar D350
8	D350-8	Bush
9	D350-9	screw
10	D350-10	grip D350
11	D350-11	screw
12	D350-12	adjust screw D350
13	D350-13	Nut
14	D350-14	washer
15	D350-15	adapter D350
16	D350-16	screw
17	D350-17	baseplate D350
18	D350-18	locking screw D350
19	D350-19	pin
20	D350-20	nut

D350**InterDiamant**

EUROPEAN DIAMOND TECHNOLOGY



1	D350-21	circlip
2	D350-22	bearing D350
3	D350-23	gear spindle D350
4	D350-24	level
5	D350-25	carriage D350
6	D350-26	Nut
7	D350-27	Bush
8	D350-28	roller D350
9	D350-29	shaft A D350
10	D350-30	Shaft B D350
11	D350-31	screw
12	D350-32	slider D350
13	D350-33	locking screw D350
14	D350-34	Locking Adapter D350
15	D350-35	screw
16	D350-36	fixer D350
17	D350-37	screw
18	D350-38	motor plate D350
	D350-39	Wheel set for D350
	D350-40	Distance spacer D350