

Bergensesteenweg 454 – 1600 Sint pieters Leeuw tel: 0032 2 378 37 00  
Fax: 0032 2 378 37 21 [www.interdiamant.com](http://www.interdiamant.com)

## Instructions for use



## **MASONRY SAW INOX**

**ID701**

**CE**

## SUMMARY

GUARANTEE.....	3
DESCRIPTION .....	3
GENERAL NOTICE.....	3
NOTICE FOR USE .....	4
ASSEMBLY AND PREPARATION FOR USE.....	4
STARTING AND UTILIZATION .....	4
MAINTENANCE .....	5
DIAMOND DISC REPLACEMENT .....	5
TECHNICAL FEATURES .....	5
MARKS AND CERTIFICATIONS.....	6
ELECTRICAL SCHEME MONOPHASE 220 V- 50 HZ .....	7
SPARE PARTS LIST .....	8

## **(GB) OPERATING INSTRUCTIONS**

Carefully read the instructions contained in this manual; they give important explanations concerning the safety and the correct use of the machine. Always keep this manual for any further consultations.

## **GUARANTEE**

The machine described in this manual is covered by a 12-month warranty from the date of delivery (the date of receipt of the goods declared on the documents accompanying the machine during transport is considered); The warranty is limited to those parts which, at the incontestable discretion of the manufacturer, have defects and / or defects in construction and the operations necessary to prevent improper or improper operation of the machine whose causes are traceable to an original defect of the same.

Components electrical equipment and parts subject to normal wear and tear due to use (e.g. blade, inserts, etc.) are not covered by the warranty. Parts damaged in transit, for improper and / or incorrect use, and / or not in accordance with these instructions, installation or maintenance by the purchaser, negligently, due to failure to carry out tests and checks Mentioned in this manual by the inability to use it due to use not in accordance with the intended use and explicitly declared by the manufacturing company are not covered by the warranty.

The warranty is valid only in respect of the original purchaser and does not in any way replace the machine. The guarantee is void if the same has undergone alterations, modifications, and / or repairs by persons not expressly authorized by the manufacturing company. The manufacturer shall not be liable for any direct or indirect damage caused to persons, things or animals resulting from machine failure which is not attributable to birth defects or forced suspension of use of the latter.

At the expiration of the guarantee period, each intervention requested will be carried out by charging the client with the cost of the work, travel, food, accommodation, cost of replaced parts and possible transportation. In the event that this is a significant intervention, the manufacturing company will provide the applicant in advance with the approximate total cost that, unless there are unforeseen circumstances, should result.

Any dispute shall be judged by the competent judicial authority of the court of Piacenza.

The contents of this manual can be modified with no advanced notice, in order to add any technical improvement. It is forbidden to reproduce it without our prior authorization

## **DESCRIPTION**

Electrical sawing machine, ideal for cutting the building material: bricks, marbles, granites, coating tiles, concrete products, excluding metal alloys and wood . It uses a diamond saw blade for wet cutting , suitable for the above mentioned materials.

The saw machine is equipped with:

- Head motor, adjustable height for all the series
- Sliding trolley on nylon wheels equipped with sealing bearings
- Adjustable electro-galvanized slide guides
- Adjustable square for diagonal cut
- Blade covering protection (aluminium/painted iron) and painted iron/stainless steel basin to contain the water
- Water re-circulation pump , with filter
- Motor equipped with thermal protection
- Minimum tension switch

## **GENERAL NOTICE**

- The feeding of the machine shall be done according to the manufacturer's instructions. We decline any responsibility for any connection carried out differently from the indications given by the manufacturer.
- The electrical equipment of the machine assures protection to the operator from electric shocks deriving from direct contacts
- In order to protect the operator from electric shocks deriving from indirect contacts, the connection to the source of power shall be provided with all necessary protections, according to the regulations actually in force concerning the matter.

- Before connecting the machine, verify that the data concerning tension and frequency indicated on the label of the machine correspond to those of the supply mains
- Be sure that all possible adapter and patch cords used for the connection of the machine are in conformity with the safety regulations in force.
- Disconnect the feeding outlet before starting any maintenance, cleaning, water filling or replacement operation.
- Keep the machine in a safe and dry place, out of children's reach.
- Do not manipulate the machine. In case of breakdown and/or bad functioning, address to a qualified and authorised technical assistance or customer service.
- It is absolutely forbidden to use tools, which are not in conformity with those indicated or are suitable for other materials (for ex. discs with widia teeth for wood, aluminium, etc.)
- The machine shall be destined only to the purpose it was built for. Any other use is to be considered illegitimate and dangerous.
- Disconnect the feeding plug when the machine is not functioning.

### **NOTICE FOR USE**

- We recommend that qualified personnel only shall use the machine, in places out of children's reach and away from third persons, in order to avoid any possible and unintentional contact.
- Wear suitable clothes: do not wear large and unfastened clothes that could be drawn by the blade.
- Protect long hair by the suitable net
- Wear individual protection devices, such as ear-casings, gloves, eyeglasses, etc.
- Operate in dry places, protected from precipitations.
- Avoid any unsafe or unstable position.
- Not suitable materials cause irreparable damage to the tool
- If the diamond disc is cracked, damaged or worn, immediately replace it.

### **ASSEMBLY AND PREPARATION FOR USE**

- Remove the machine from the packing.
- Rotate the legs in vertical position and fix them to the relevant leg holder using knobs
- Position the machine considering that the bearing surface shall be stable and perfectly plane
- Mount the diamond disc as indicated in the chapter: "Diamond disc replacement"
- Release the head by unscrewing lightly the nut or handle
- In order to get a diagonal cutting, apply the square to the trolley rule
- Fill the stainless steel water tank with water in such a way that the re-circulation pump is completely dipped.

### **STARTING AND UTILIZATION**

Warning! before utilizing the machine you shall always:

- be sure that the nut fixing the disc between the flanges is well-tightened in order to assure a disk locking
- carry out the filling of the water basin in order to avoid irreparable damages to the pump which starts when a machine starting occurs
- wear protections, ear-casings, gloves, eyeglasses, etc.

After preparing the machine to a normal running, you can proceed as follows:

- connect the machine to the supply mains
- mark off the material be cut
- position the piece towards the trolley head bar
- start the machine pressing the green starting push-button
- be sure that the disc rotates and the water wets the disc
- hold fast the material to be cut by a hand, by the other hand you shall bring the motor head towards the piece to be cut (here, motor revolutions shall not have an important slowing down)

**Warning! Hands shall not be positioned on the trajectory of the disc**

While utilizing, the re-circulation pump shall always be dipped, if it is not the case, you shall add water into the basin.  
**In case of temporary power outage, the switch automatically disconnects contacts, in order to avoid a dangerous starting on a power return. To re-start the machine, you shall press the green starting push-button.**  
 At the end of the work, you shall press the red stop switch and disconnect the power supply.

**Warning: do not loosen the bolts, so that a machine adjustment cannot be jeopardized.**

## MAINTENANCE

In order to keep the machine in perfect efficiency we suggest to carry out the following operations , after use:

- disconnect the power supply plug
- take away the cap from the basin in order to let the dirty water go out , carefully rinse to eliminate the residuals.
- fill the basin with clean water and after connecting start the machine for at least one minute in order to clean up the pump. Then empty the basin again.

Periodically:

- remove the residuals accumulated in the blade-cover protection.
- Remove the residuals and clean the machine to prevent rust.

## DIAMOND DISC REPLACEMENT

- 1) Disconnect the power supply plug.
- 2) Unscrew the fixing wing-nuts of the blade-cover protection
- 3) Unscrew the flange locking nut inserting a pin, in contrast, on the motor shaft  
Attention: left threading.
- 4) Extract the saw blade and replace it considering that the rotation direction of the tools corresponds to the one indicated on the blade covering protection
- 5) Assemble the flange again , lock the nut and mount the blade covering protection.

## TECHNICAL FEATURES

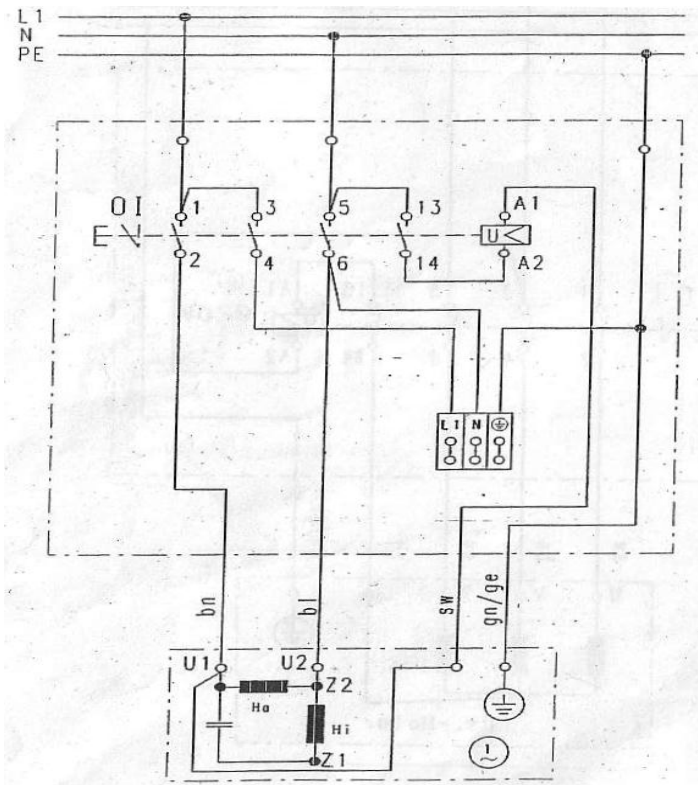
	ID701
<b>BLADE DIAMETER (mm)</b>	700
<b>BLADE HOLE (mm)</b>	30,0
<b>CUTTING HEIGHT (mm)</b>	260
<b>MAX. CUTTING LENGHT (mm)</b>	500
<b>ELECTRIC PUMP PROTECTION</b>	IP54
<b>POWER ( WATT-P1 )</b>	P1 3,0 kW
<b>TENSION AND FREQUENCY ( V-Hz )</b>	230 V/380V-50 Hz
<b>RPM</b>	1400
<b>INSULATION CLASS</b>	F
<b>PROTECTION</b>	IP68
<b>CAPACITOR</b>	45 µF
<b>WORKTOP DIMENSIONS (mm)</b>	500X450
<b>MACHINE DIMENSIONS (mm)</b>	600x1200x1400
<b>WEIGHT (Kg )</b>	70
<b>MIN. TENSION SWITCH</b>	YES
<b>Acoustic pression level in the atmosphere</b>	<b>db (a) 89,8</b>
<b>Acoustic power level</b>	<b>db (a) 105,1</b>
<b>Acoustic pressure level at the driving place</b>	<b>db (a) 95,6</b>

## **MARKS AND CERTIFICATIONS**

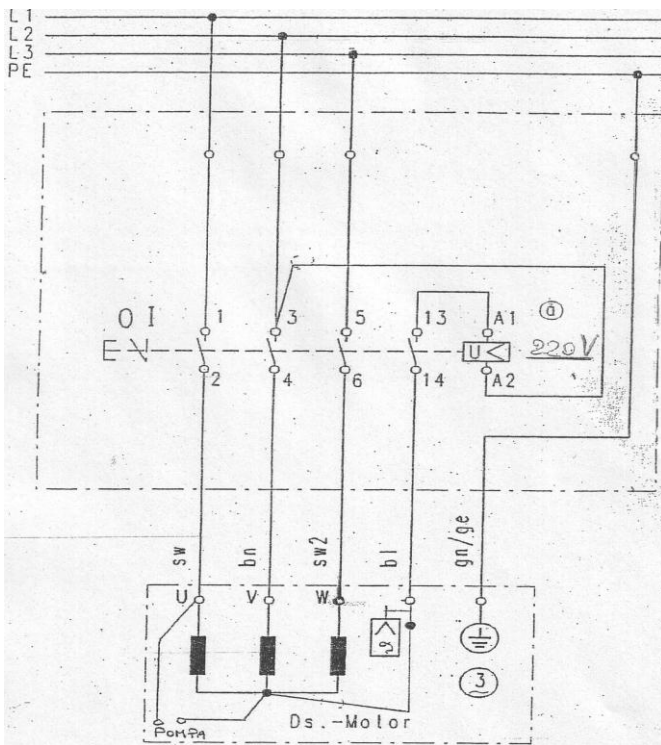
The following model has submitted to the CE examination, according to EEC 2006/42.

The above mentioned certification is stated on the plate with CE mark on the machine and described on the declaration which accompanies this manual.

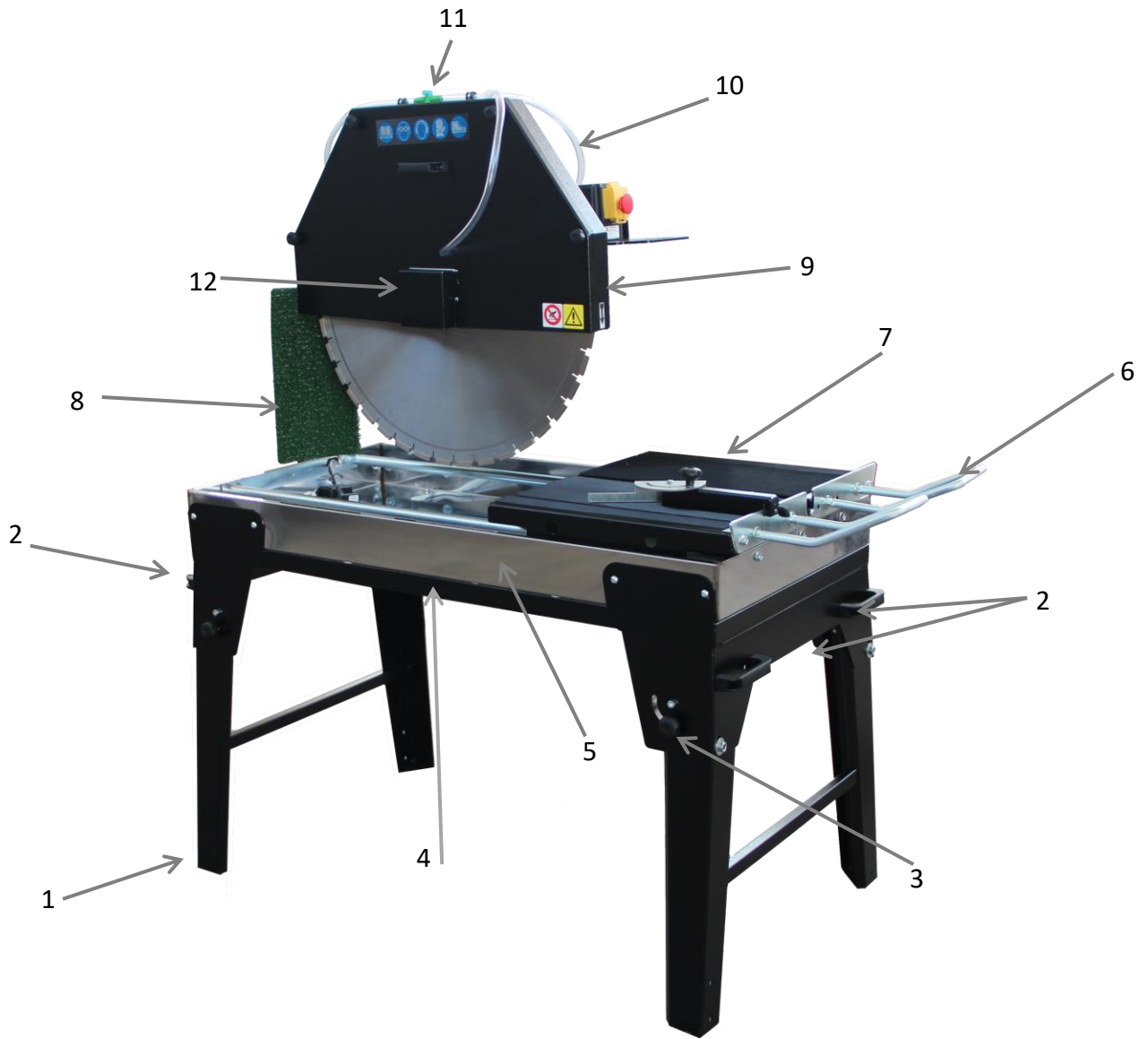
**ELECTRICAL SCHEME MONOPHASE 230 V- 50 HZ**



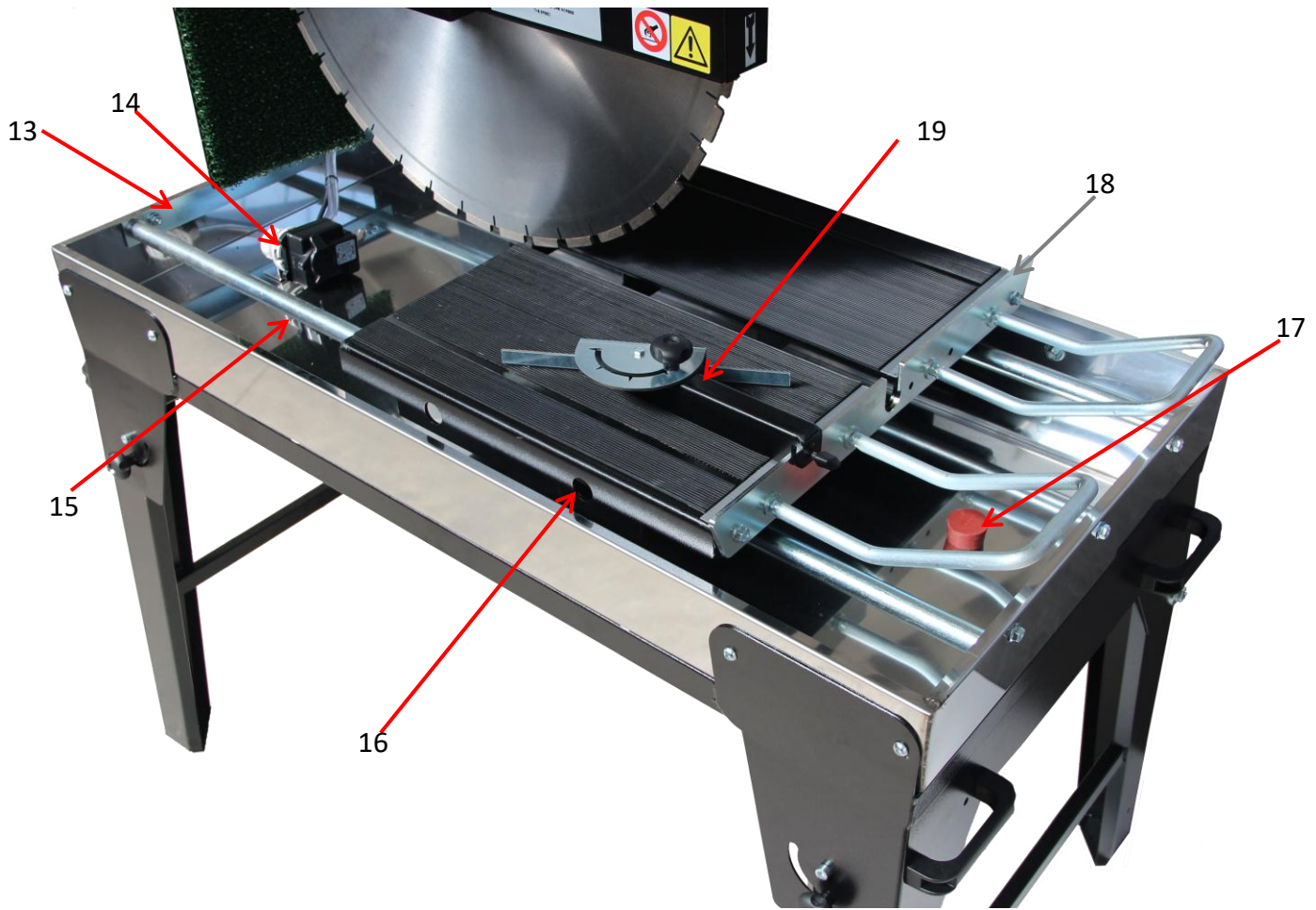
**ELECTRICAL SCHEME THREE PHASE 380 V- 50 HZ**

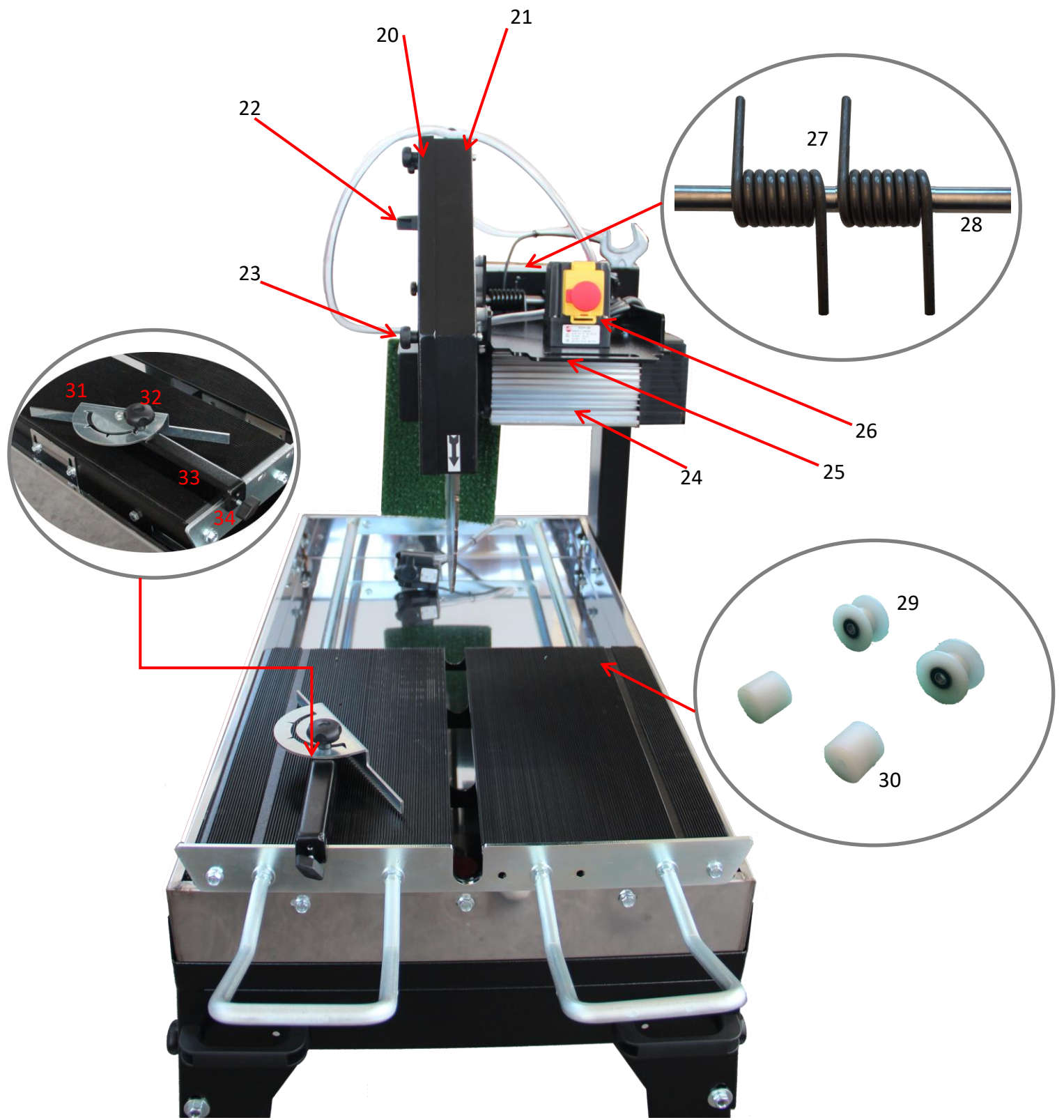


# SPARE PARTS LIST









<b>POSITION</b>	<b>DESCRIPTION</b>
1	LEGS
2	TRANSPORT HANDLES
3	LEGS KNOB
4	FRAME
5	WATER TANK
6	WORKTOP HANDLES
7	COMPLETE WORKTOP
8	MUDFLAP
9	COMPLETE BLADE COVER D. 700 MM
10	WATER PIPE
11	WATER TAP
12	HUBCAP
13	WORKTOP GUIDES SUPPORT
14	WATER PUMP
15	WORKTOP GUIDE
16	WORKTOP BLOCK
17	RUBBER CAP
18	PIECES HOLDER GUIDE
19	COMPLETE GONIOMETER
20	EXTERNAL BLADE COVER
21	INTERNAL BLADE COVER
22	BLADE COVER HANDLE
23	BLADE COVER KNOB
24	ENGINE 3,0 KW 230V/380V-50Hz
25	MOTOR HOLDER
26	SWITCH WITH EMERGENCY STOP
27	SPRINGS
28	SPRING REBAR
29	WORKTOP WHEEL WITH BEARING
30	WORKTOP WHEEL
31	GONIOMETER PART 1
32	GONIOMETER PART 1 KNOB
33	GONIOMETER PART 2
34	GONIOMETER PART 2 KNOB

**DICHIARAZIONE CE DI CONFORMITA'**  
**(LINGUA ORIGINALE) ai sensi dell'Allegato II A della Direttiva 2006/42/CE**

Noi,

**Beta Diamond Tools s.r.l.** - Via dell'Industria 60 - 29100 Piacenza  
dichiariamo sotto la nostra esclusiva responsabilità che il prodotto:  
We, hereby declare on our own responsibility that the product:  
Nous, déclarons sous notre seule responsabilité que le produit

**SB700IX**

è conforme alle disposizioni della  
is compliens to the norm :  
est conforme aux suivantes dispositions :

- Direttiva Macchine **2006/42/CE**

è conforme anche alle disposizioni delle seguenti direttive:

- Direttiva Compatibilità Elettromagnetica **2004/108/CE**

Persona giuridica, stabilita nella Comunità Europea, autorizzata a costituire il fascicolo tecnico:

**Beta Diamond Tools s.r.l.** - Via dell'Industria 60 - 29122 Piacenza

Piacenza, 01.06.2017

**Beta Diamond Tools srl**

L'amministratore