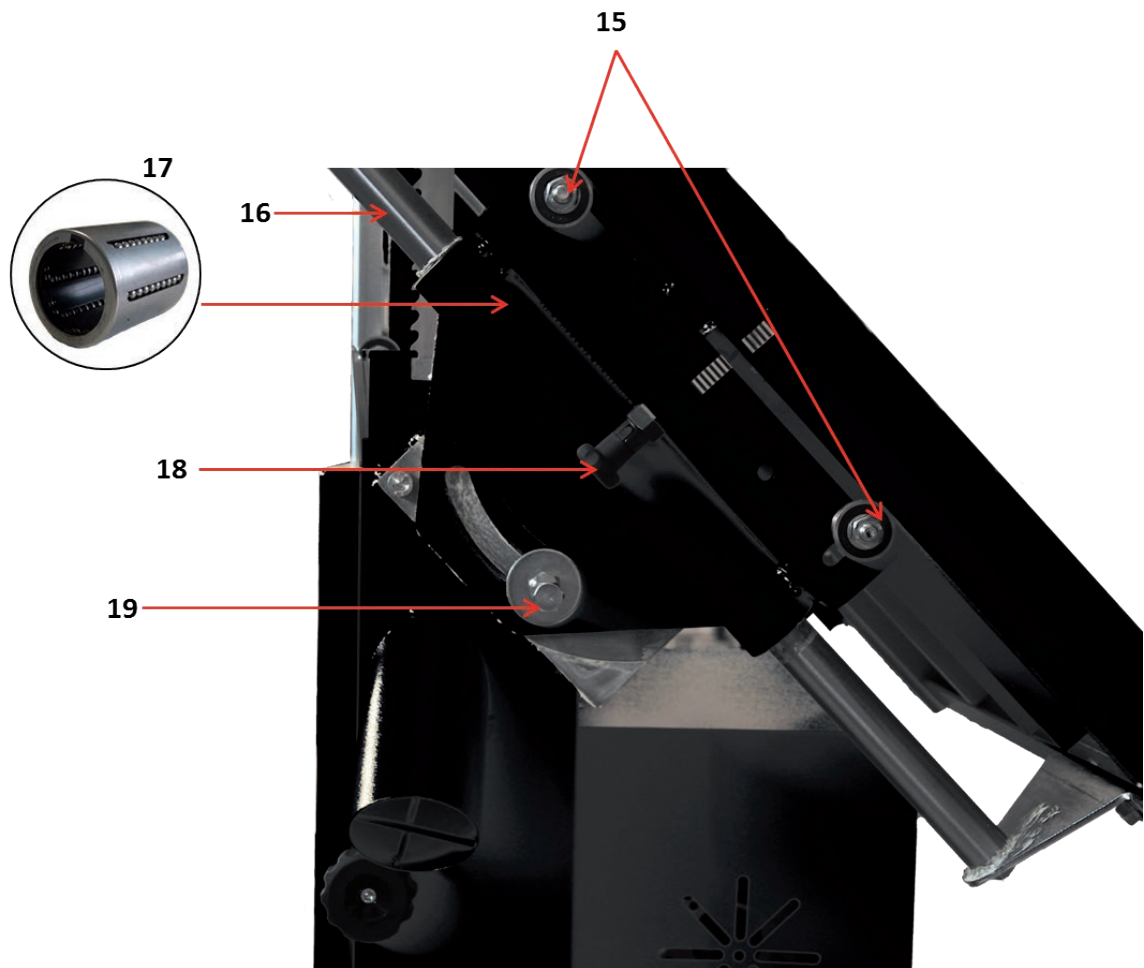
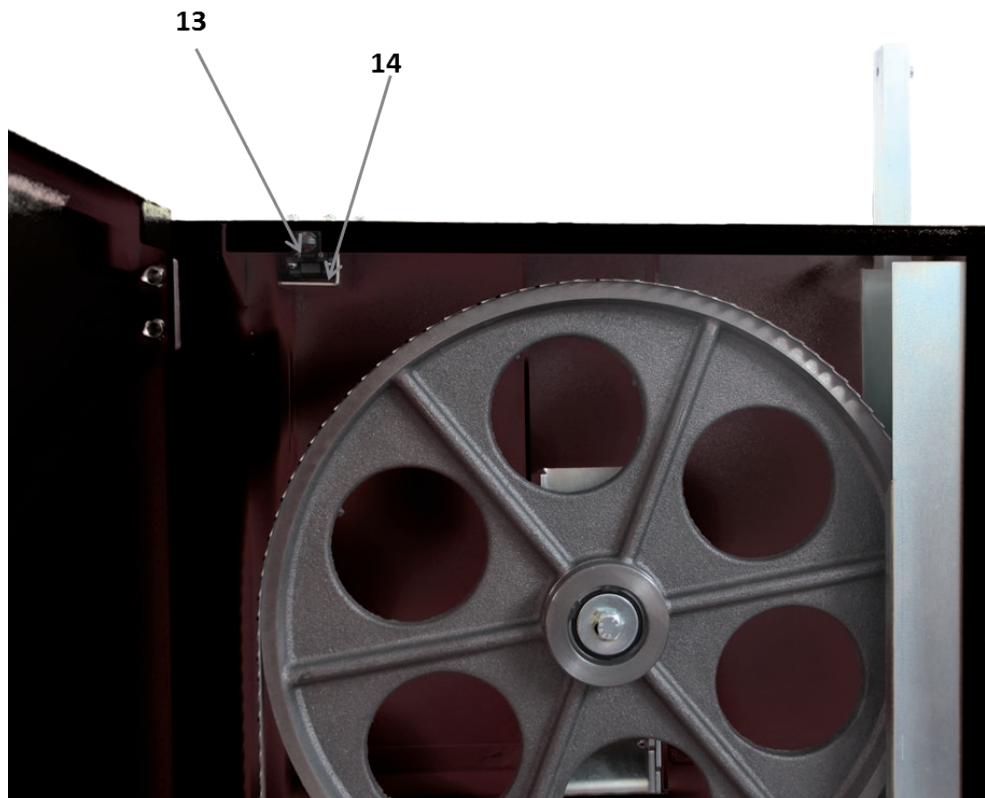


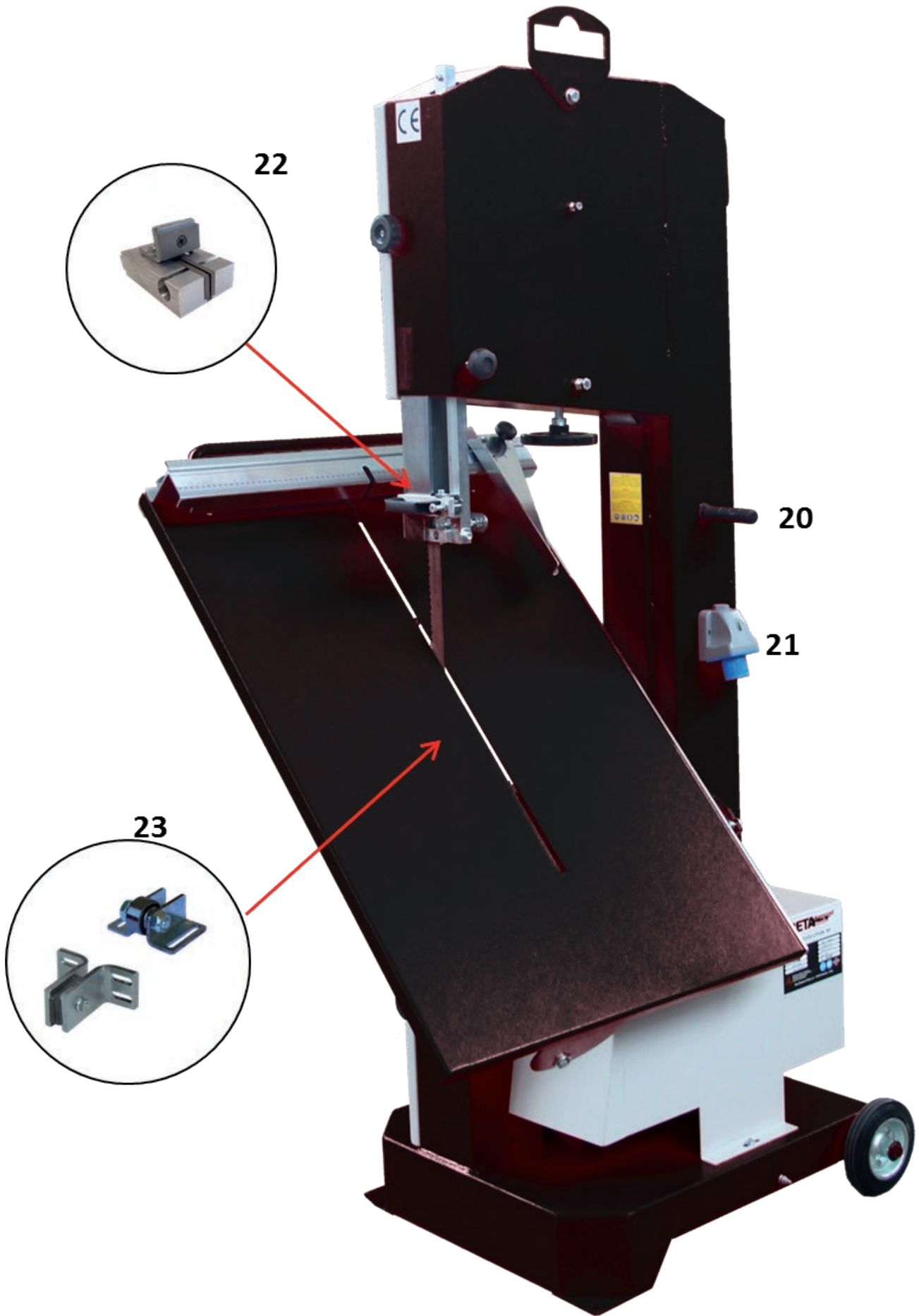
# ID501

## SPARE PART PRICE LIST









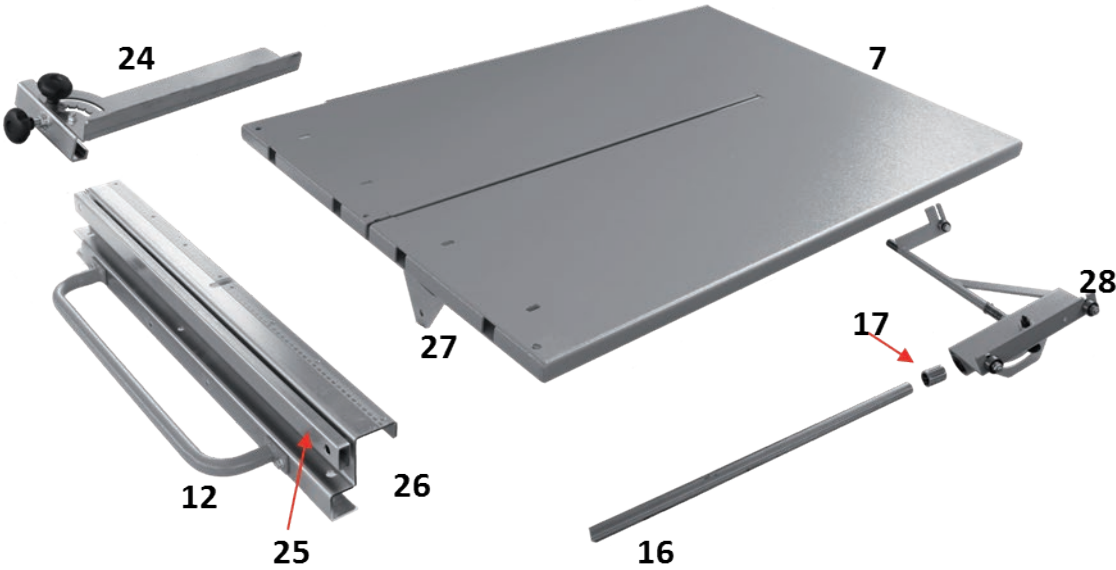
22

20

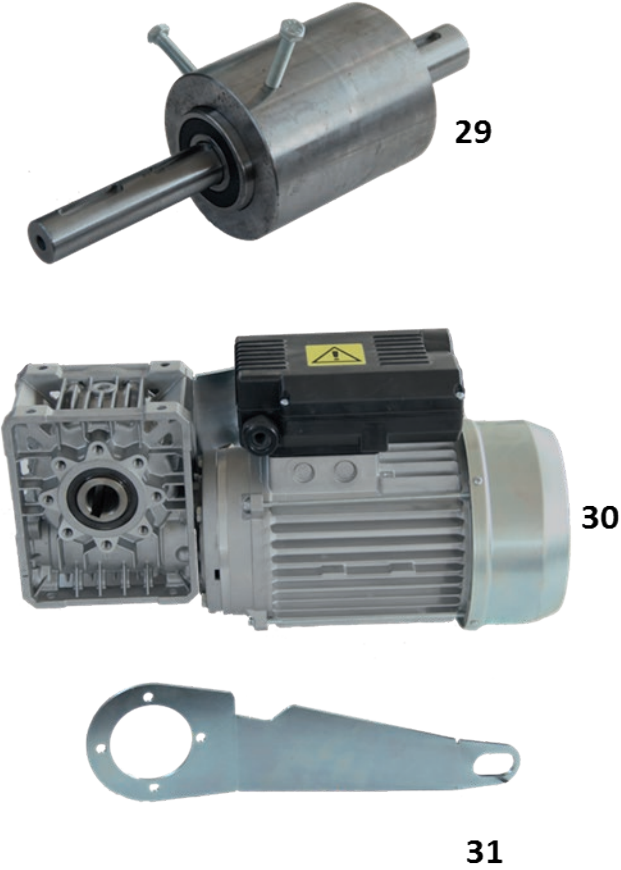
21

23

**WORKTOP VIEW**



**ELECTRIC PARTS**



<b>POS.</b>	<b>Description</b>
<b>1</b>	FRAME
<b>2</b>	LIFTING EYE
<b>3</b>	ECCENTRIC HANDLEWHEEL
<b>4</b>	WHEEL
<b>5</b>	BAND PROTECTION
<b>6</b>	HANDLE
<b>7</b>	WORKTOP
<b>8</b>	TRANSPORT WHEEL d.160 mm
<b>9</b>	JOINT
<b>10</b>	SWITCH
<b>11</b>	EMERGENCY STOP
<b>12</b>	WORKTOP HANDLE
<b>13</b>	LIMIT SWITCH
<b>14</b>	LIMIT SWITCH SUPPORT
<b>15</b>	WORKTOP BEARINGS
<b>16</b>	WORKTOP GUIDE (TEMPERED TUBE)
<b>17</b>	LINEAR SLIDE BEARING
<b>18</b>	PULL HANDLE
<b>19</b>	WORKTOP BLOCK (HEXAGON)
<b>20</b>	TRANSPORT HANDLE
<b>21</b>	SOCKET
<b>22</b>	BLADE UPPER RAIL
<b>23</b>	BLADE LOWER RAIL
<b>24</b>	ANGLE GUIDE (0-90°)
<b>25</b>	ANGLE GUIDE SUPPORT
<b>26</b>	WORKTOP JOIN
<b>27</b>	WORKTOP SUPPORT
<b>28</b>	SLIDING ARM
<b>29</b>	GEAR MOTOR
<b>30</b>	ENGINE
<b>31</b>	ENGINE SUPPORT