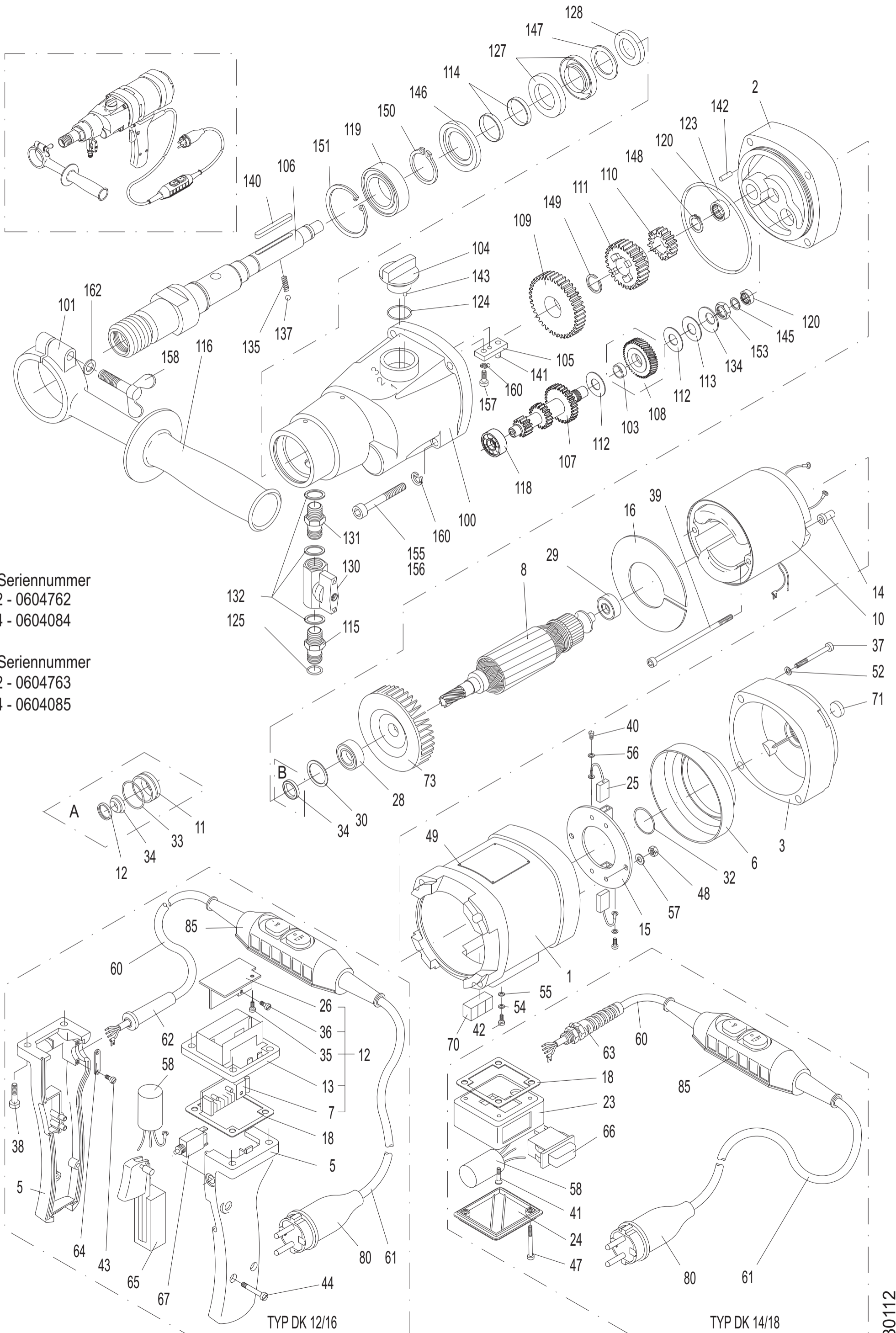


DIAMANT-KERNBOHRMASCHINE TYP DK 12/14/16/18



A: < Seriennummer
DK12 - 0604762
DK14 - 0604084

B: > Seriennummer
DK12 - 0604763
DK14 - 0604085

TYP DK 12/16

TYP DK 14/18

Spare Parts Price List - Type DK 11/12/13/14/16/18/116/118/119 - Motor
 Page 1/2 EPE-DK1 060318

FIG	NO	DESCRIPTION	STANDARD	TYPE	PART NO	
1	1	Motor case			DK10101	
2	1	Intermediate Flange with O-Ring			DK10102-1C	
3	1	Motor Top Hood with Fig. 6, 32			DK10103C	
5	1	Switch Handle	230 V	DK12/16	DK12105	
	1	Switch handle with hole for motor protective switch		DK12 USA	DK12105/11	
6	1	Insulation Ring			DK10106	
7	1	Electronic Module with Suppression Capacitor	230V	DK12/13/14 DK118/119	DK10510-1C	
	1	Electronic Module with Suppression Capacitor	110V	DK12/13/14 DK118/119	DK10510/11-1C	
	1	Electronic Module with Suppression Capacitor	230V	DK16/17/18	DK16510-1C	
	1	Electronic Module with Suppression Capacitor	110V	DK16/17/18	DK16510/11-1C	
8	1	Armature with Fan and Bearings	230V	DK12/13/14/116/118/119	DK10108-1	
	1	Armature with Fan and Bearings	110V	DK12/13/14/116/118/119	DK10108/11-1	
	1	Armature with Fan and bearings	230V	DK16/17/18	DK16108	
	1	Armature with Fan and bearings	110V	DK16/17/18	DK16108/11	
10	1	Field	230V	DK12/13/14	DK10109	
	1	Field	110V	DK12/13/14	DK10109/11	
	1	Field	230V	DK16/17/18	DK16109	
	1	Field	110V	DK16/17/18	DK16109/11	
11	1*	Exchange Seal Bush* with O-Ring			DK10113-1C	
12	1	Electronic module completely sealed with Interference Suppression Capacitor	230V	DK12/13/14	DK10520-1C	
	1	Electronic module completely sealed with Interference Suppression Capacitor	110V	DK12/13/14	DK10520/11-1C	
	1	Electronic module completely sealed with Interference Suppression Capacitor	230V	DK16/17/18	DK16520-1C	
	1	Electronic module completely sealed with Interference Suppression Capacitor	110V	DK16/17/18	DK16520/11-1C	
13	1	Electronic Case	230V		DK10135	
14	2	Field screw insulating sleeve			DK10116	
15	1	Brush Holder Disc	230V		DK10117	
	1	Brush HolderDisc	110V		DK10117/11	
16	1	Air Conducting Disc			DK10118	
17	1*	Fixing Ring*			DK10114	
18	1	Terminal Case Packing			DK10122	
23	1	Terminal Case		DK14/18	DK14130	
24	1	Terminal Case Cover		DK14/18	DK14135	
25	2	Carbon Brush	230 V		DK10125	
	2	Carbon Brush	110 V		DK10125/11	
26	1	Cooling Profile			DK10140	
28	1	Ball Bearing			6060011	
29	1	Ball Bearing			6060002	
30	1	Compensation Washer			2628171	
32	1	O-Ring	RDR26x2,5		4526025	
33	1*	O-Ring*	RDR24x1,5		4524015	
34	1	Rotary Shaft Seal	RWD12x24x7		5012247	
	1*	V-Seal*			5112000	
35	1	Th. Roll. Cheese Head Screw	M4x8		0504008	
36	1	Th. Roll. Cheese Head Screw	M4x6		0504006	
37	4	Hex. Soc. Head Screw	M5x35		0105035	
38	4	Hex. Soc. Head Screw	M5x25	DK12/14	0205025	
39	2	Fill. Head Screw	M4x100		0204100	
40	2	Fill. Head Screw	M3x5		0203005	
41	1	Countersunk Head Screw	M5x16	DK14/18	0405016	
42	1	Sl. Pan Head Screw	M4x6		0304006	
43	2	Pan Head Tapping Screw	3,9x13	DK12/14	0539013	
44	2	Pan Head Tapping Screw	3,9x19	DK12/14	0539019	
47	2	Raised Cheese Head Screw	M5x50	DK14/18	0205050	
48	2	Hexagon Nut	M4		1004001	
49	4	Round Head grooved Pin	2,3x4		2223004	
52	4	Locking Washer	SM5		1805000	
54	1	Curved Spring Washer	A4		1804137	
55	1	Medium Washer	4,3x8x0,5 Ms		1804433	
56	2	Medium Washer	3,2x6x0,5 Ms		1803433	
57	2	Medium Washer	4,3x9x1 Msn		1804125	
58	1	Interference Suppression Capacitor			DK10130	
60	1	Cord G1,5x1,5 without plug		for PRCD	8715152	
61	1	Cord G1,5x2,3		for PRCD	DK12/16	8723151
	1	Cord G1,5x2,3		for PRCD	DK14/18	8723156
	1	Cord G1,5x3,8		for CEE plug	DK12/16	8738151
	1	Cord G1,5x3,8		for CEE plug	DK14/18	8738156
	1	Cord G2,5x3,8	110V	DK16/18	8738251	
	1	Cord G2,5x3,8	110V	DK14/18	8738256	
	1	Cord 3AWG14x4		for USA	8740141	
62	1	Cord Sleeve		DK12/16	8701000	
63	1	Cord Gland		DK14/18	8804020	
64	1	Cord Clamping Piece		DK12/16	8800010	
65	1	Motor Switch		DK12/16	8015212	
66	1	Motor Switch	230 V	DK14	8015014	
	1	Motor Switch	110 V	DK14/18	8015514	
	1	Motor Switch (electronic)	230 V	DK14/18	8015018	
67	1	Motor Protective Switch	110 V	DK12 USA	8010615	
70	1	Tube Water-Level			7510029	
71	1	Tin Water-Level			7500015	
73	1	Fan			DK20105	
80	1	Mains Plug	16 A		8016013	
	1	Mains Plug CEE-16A-1h			8016001	
85	1	PRCD Inline Protector		230 V	8400010	
	1	PRCD Inline Protector		110 V	8400110	
	1	Adhesive Sticker			DK20620	

Spare Parts Price List Type DK 12/14/16/18 - Gear

FIG	NO	DESCRIPTION	STANDARD	TYPE	PART NO
100	1	Gear Box			DK10201
101	1	Clamp Ring incl. wing screw		DK12/16	DK12202C
103	1	Bearing Socket			DK10221
104	1	Gear Change Grip			DK10203C
105	1	Gear Change Lever		DK16/18	DK30205C
106	1	Drilling Spindle cpl. with Fig. 114,135,137, Tool Thread G 1/2"			DK10206C
	1	Tool Thread 1 1/4" + G 1/2" with Fig. 114, 135, 137			DK10206.3C
	1	Tool Thread 32 mm square with Fig. 114, 135, 137			DK10206.4C
107	1	Pinion Shaft		DK12/14	DK10208
	1	Pinion Shaft		DK16/18	DK16208
108	1	Clutch Wheel cpl. with Fig.103			DK12209C
109	1	Gear Wheel 1		DK12/14	DK10212
	1	Gear Wheel 1		DK16/18	DK16212
110	1	Gear Wheel 3		DK12/14	DK10213
	1	Gear Wheel 3		DK16/18	DK16213
111	1	Slide Gear Wheel		DK12/14	DK10214
	1	Slide Gear Wheel		DK16/18	DK16214
112	2	Brake Disk			DK10218
113	1	Pressure Disk			DK10219
114	2	Protective Sleeve			DK10220
115	1	Quick Connect Nipple with O-Ring			DK20225
116	1	Handle		DK12/16	8900014
118	1	Ball Bearing	629		6062900
119	1	Ball Bearing	6005 2RS		6060052
120	2	Needle Bush	HK1010		6310100
123	1	O-Ring	RDR78x2		5578002
124	1	O-Ring	RDR20x3		5520003
125	1	O-Ring	RDR11x2,5		5511025
127	2	Rotary Shaft Seal	AD24x40x7		5024407
128	1	Rotary Shaft Seal	AD22x35x7		5022357
130	1	Ball Valve	G1/4"/i		7014001
131	1	Double Nipple	G1/4"a		7014002
132	3	Sealing Ring	G1/4		7014003
134	1	Disk Spring			4028142
135	1	Pressure Spring	0,5x3,2x16		4305016
137	1	Ball	RB-4		2204000
140	1	Parallel Key	A5x5x40		3005040
141	1	Parallel Pin	5m6x15		2505015
142	1	Parallel Pin	4m6x10		2504010
143	1	Parallel Pin	3m6x16		2503016
145	1	Shim Ring	PS10x16x1		1910161
146	1	Supporting Ring			DK10204
147	1	Shim Ring	PS25x40x0,3		1925403
148	1	Retaining Ring	AV14		3514001
149	1	Retaining Ring	SW18		3618000
150	1	Retaining Ring	25x1,2		3525012
151	1	Retaining Ring	47x1,75		3447175
153	1	Hexagon Nut	BM12x1,5		1012015
155	1	Hex. Soc. Head Screw	M5x80		0105080
156	3	Hex. Soc. Head Screw	M5x50		0105050
157	1	Hex. Soc. Head Screw	M5x12		0105012
158	1	Wing Screw	M6x40	DK12/16	0506040
160	5	Locking Washer	SM5		1805000
162	1	Medium Washer	A 6	DK12/16	1806125
	1	Pointing Sticker			DK20620
	1	Gear Oil	160 ml		9012001
	1	Carrying Case		DK12/16	DK10810

* parts are substituted

Please specify in case of spare part orders:

Machine No., Quantity, Description, Part No. and by electrical parts the voltage.