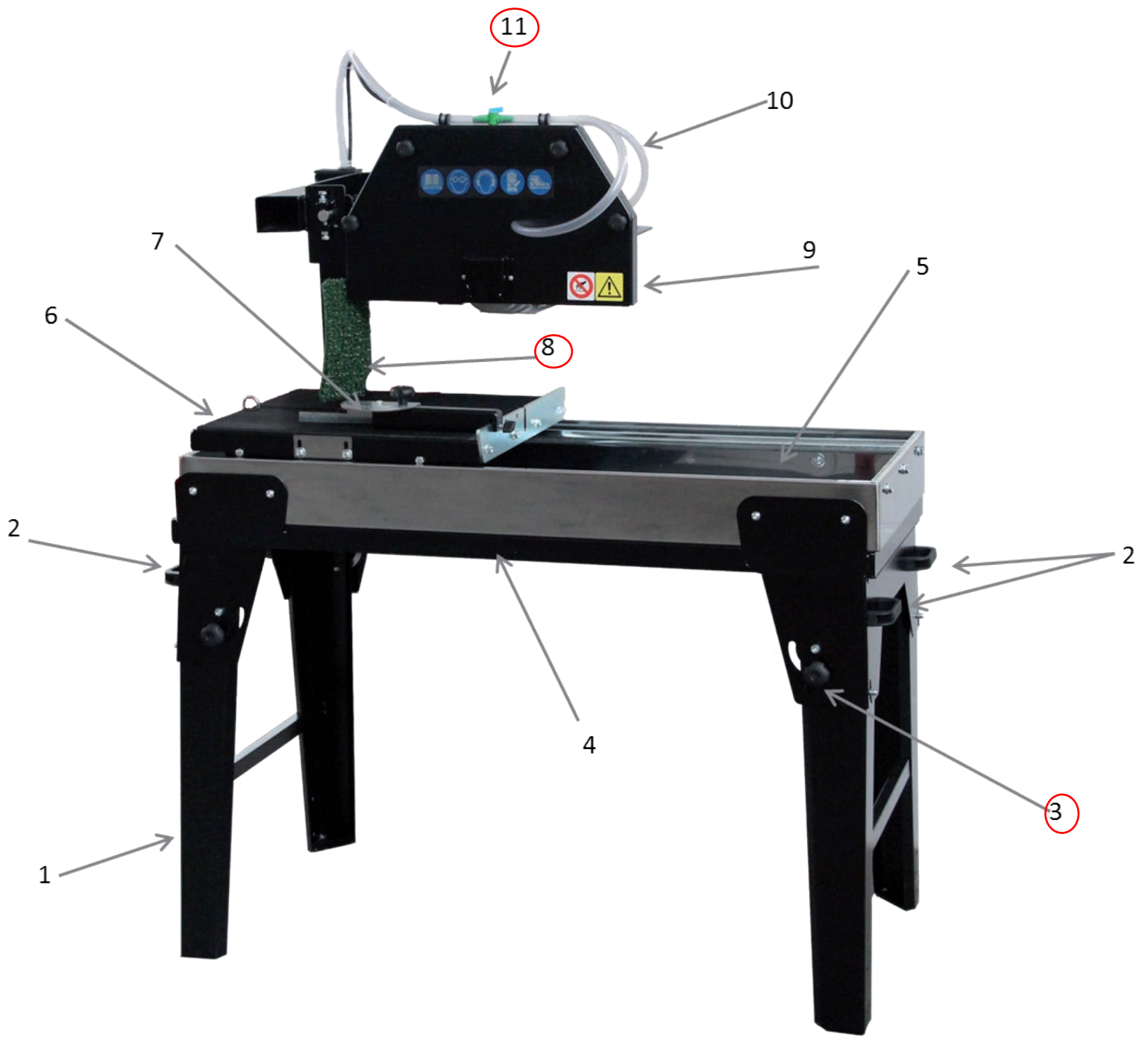


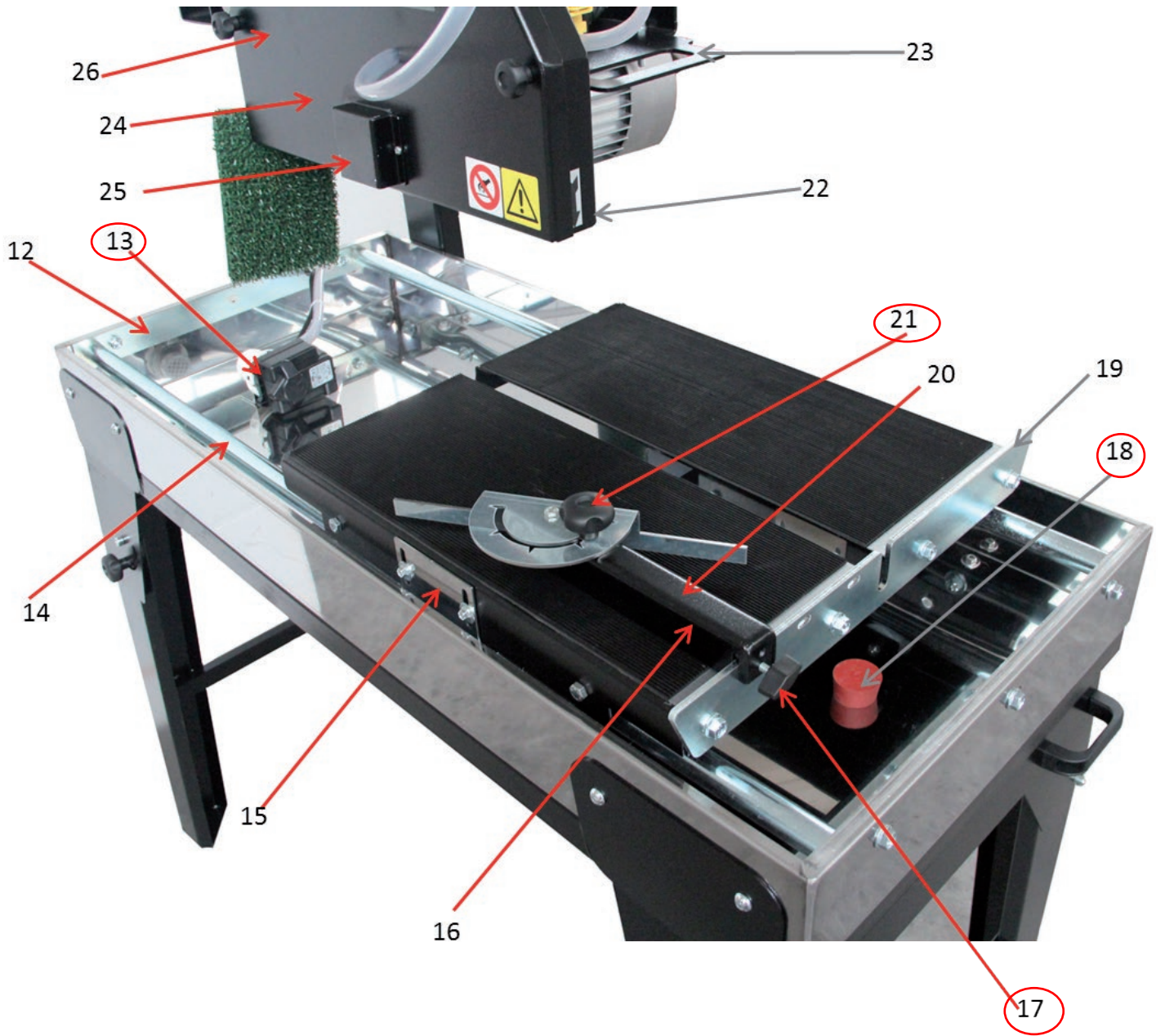
# ID351-ID446

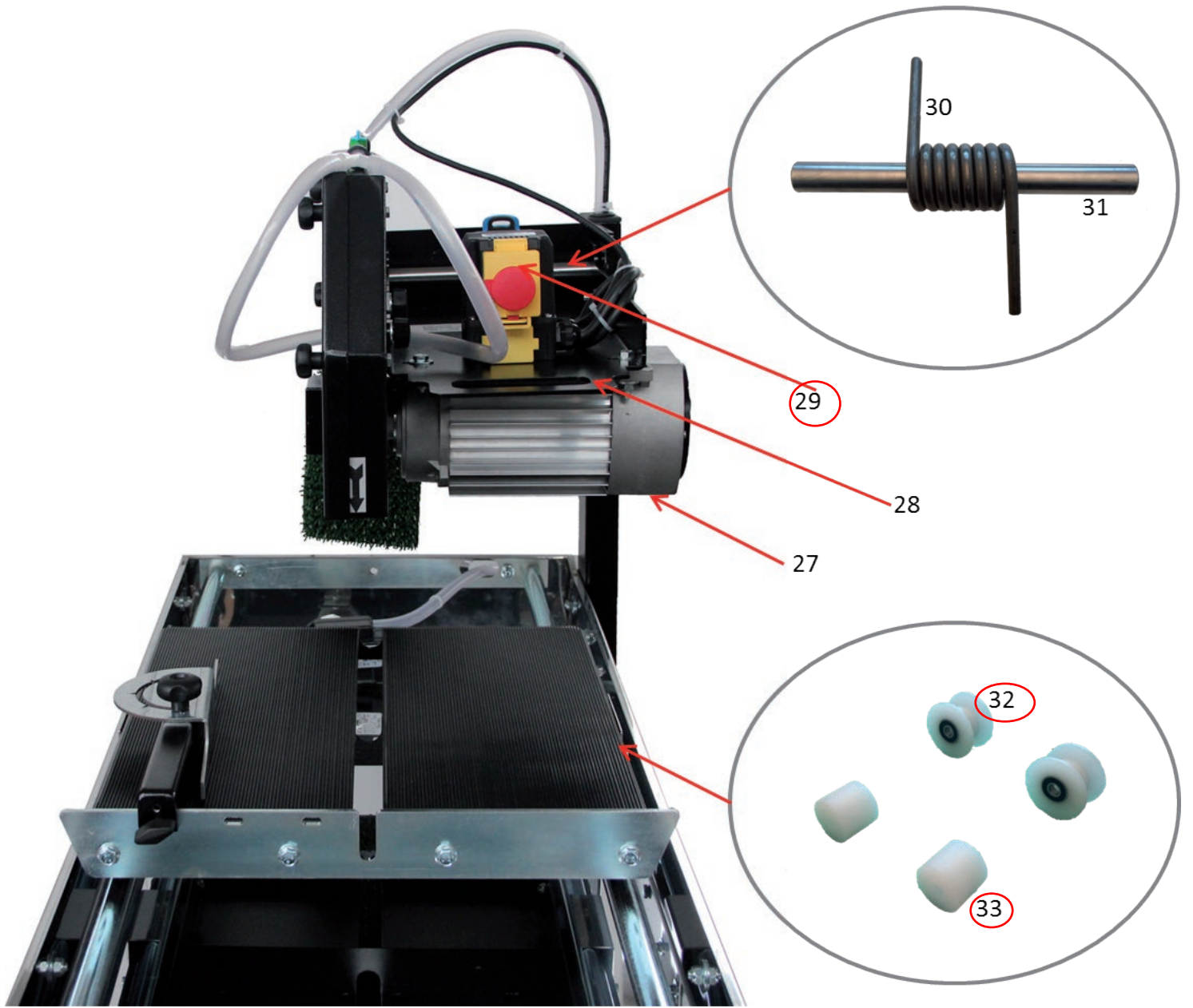
## SPARE PART PRICE LIST



# MACHINE STRUCTURE







<b>POS.</b>	<b>Description</b>
<b>1</b>	LEGS
<b>2</b>	HANDLE
<b>3</b>	LEGS KNOB
<b>4</b>	FRAME
<b>5</b>	WATER TANK
<b>6</b>	COMPLETE WORKTOP
<b>7</b>	COMPLETE GONIOMETER
<b>8</b>	MUDFLAP
<b>9</b>	COMPLETE BLADE COVER D. 450 MM
<b>10</b>	WATER PIPE
<b>11</b>	WATER TAP
<b>12</b>	WORKTOP GUIDES SUPPORT
<b>13</b>	WATER PUMP
<b>14</b>	WORKTOP GUIDE
<b>15</b>	WORKTOP BLOCK
<b>16</b>	GONIOMETER PART 1
<b>17</b>	GONIOMETER PART 1 KNOB
<b>18</b>	RUBBER CAP
<b>19</b>	PIECES HOLDER GUIDE
<b>20</b>	GONIOMETER PART 2
<b>21</b>	GONIOMETER PART 2 KNOB
<b>22</b>	INTERNAL BLADE COVER
<b>23</b>	COMPLETE MOTOR HEAD
<b>24</b>	EXTERNAL BLADE COVER
<b>25</b>	HUBCAP
<b>26</b>	BLADE COVER KNOB
<b>27</b>	ENGINE 2,2 KW
<b>28</b>	MOTOR HOLDER
<b>29</b>	SWITCH WITH EMERGENCY STOP
<b>30</b>	SPRING
<b>31</b>	SPRING REBAR
<b>32</b>	WORKTOP WHEEL WITH BEARING
<b>33</b>	WORKTOP WHEEL